

PLXE Panel Heater



Dimplex®

Product Description

PLXE features intuitive user controls, allowing the programming of multiple 7-day timer profiles via a backlit LCD display and capacitive buttons.

Key Features

- Intuitive user controls with RGB backlit LCD display
- User programmable room temperatures with multiple seven-day timer profiles
- Electronic thermostat accurate to within 0.2°C
- Energy-saving technologies such as Adaptive Start and Open Window Detection
- Slimline design that covers traditional panel heater fixing marks
- Forward facing louvered grille* for optimum heat circulation
- Aesthetics to compliment storage heater ranges
- Splash-proof for use in bathrooms
- Complies with Lot 20 of ERP Directive

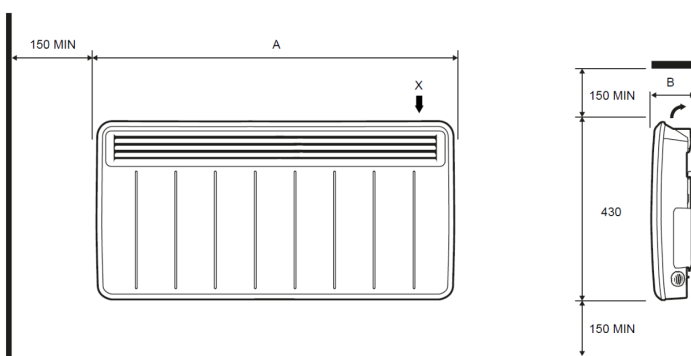
Technical Details

Controls	Digitally controlled, Electronic Thermostat accurate to ($\pm 0.2^{\circ}\text{C}$) Timer modes: 7 Day Programmable User Timer, Out All Day, Home All Day, Holiday Continuous heat modes: Eco, Manual, Frost Protect, Setback, Runback, Off
Controller UI	•Graphical display with RGB backlight •Capacitive buttons with audio feedback •User replaceable battery (Coin-Type)
Controller Functions	•Open window detection, Adaptive-start, Advance time period •Landlord and Child Lock •Adjustable max SP range ($7\text{-}32^{\circ}\text{C}$) •IOT for software updates and control •Child Lock & Landlord Lock (PIN-based)
Construction	•Durable epoxy-polyester powder coated steel casing with louvered forward facing grille •Advanced controls with cap-sense technology for total flexibility of heating •*Note: PLXC300E features a slotted grille
Element	Compact, finned, mineral filled sheathed element
Installation	1 H-frame wall bracket for easy fixing
Safety	•Thermal cut-out. Auto reset type •Overheat detection
IP Rating	IP24
Battery Backup	3.3V coin cell battery to backup real time clock. Battery life > 5 years.
Supply	1.3 metres fitted, 3 core for fused spur installation, 1/N/PE ~230-240 V, 50Hz Class I, with earth wire
Colour / Finish	Metal Chassis, Air Outlet Grille & Control Moulding - Traffic White (RAL 9016)

Warranty & Approvals

Approvals	CE, BEAB
Warranty	2 years
Country of Origin	United Kingdom
Manufacturer	Glen Dimplex Heating & Ventilation (GDC Group Ltd.)

Dimensions



Model/Item No. (EAN-Code 5011139+Item No.)	PLX050E 090768	PLX075E 090775	PLX100E 090713	PLX125E 090720	PLX150E 090737	PLX200E 090744	PLXC300E 090750
Output (kW)	0.50	0.75	1.00	1.25	1.50	2.00	3.00
Height (mm)	430	430	430	430	430	430	430
Width A (mm)	450	620	620	690	690	860	860
Depth B (mm)	108	108	108	108	108	108	143
Weight (KG)	4.6	5.9	5.9	6.1	6.1	7.8	8.7
Packaging Details							
Height (mm)	470	470	470	470	470	470	470
Width (mm)	490	660	660	720	720	890	890
Depth (mm)	135	135	135	135	135	135	160
Packed Weight	5.1	6.5	6.5	6.7	6.7	8.4	9.8
Ti	17	12	12	10	10	9	7
Hi	4	4	4	4	4	4	4
Pallet Quantity (2.4m high)	68	48	48	40	40	36	28